



PRODUCTS CATALOG

ELECTRICAL ENCLOSURES & MODULAR CABINETS



20

exmweb.com

NEMA 4-12 ENCLOSURES

5412 ESCH

JIC ENCLOSURES

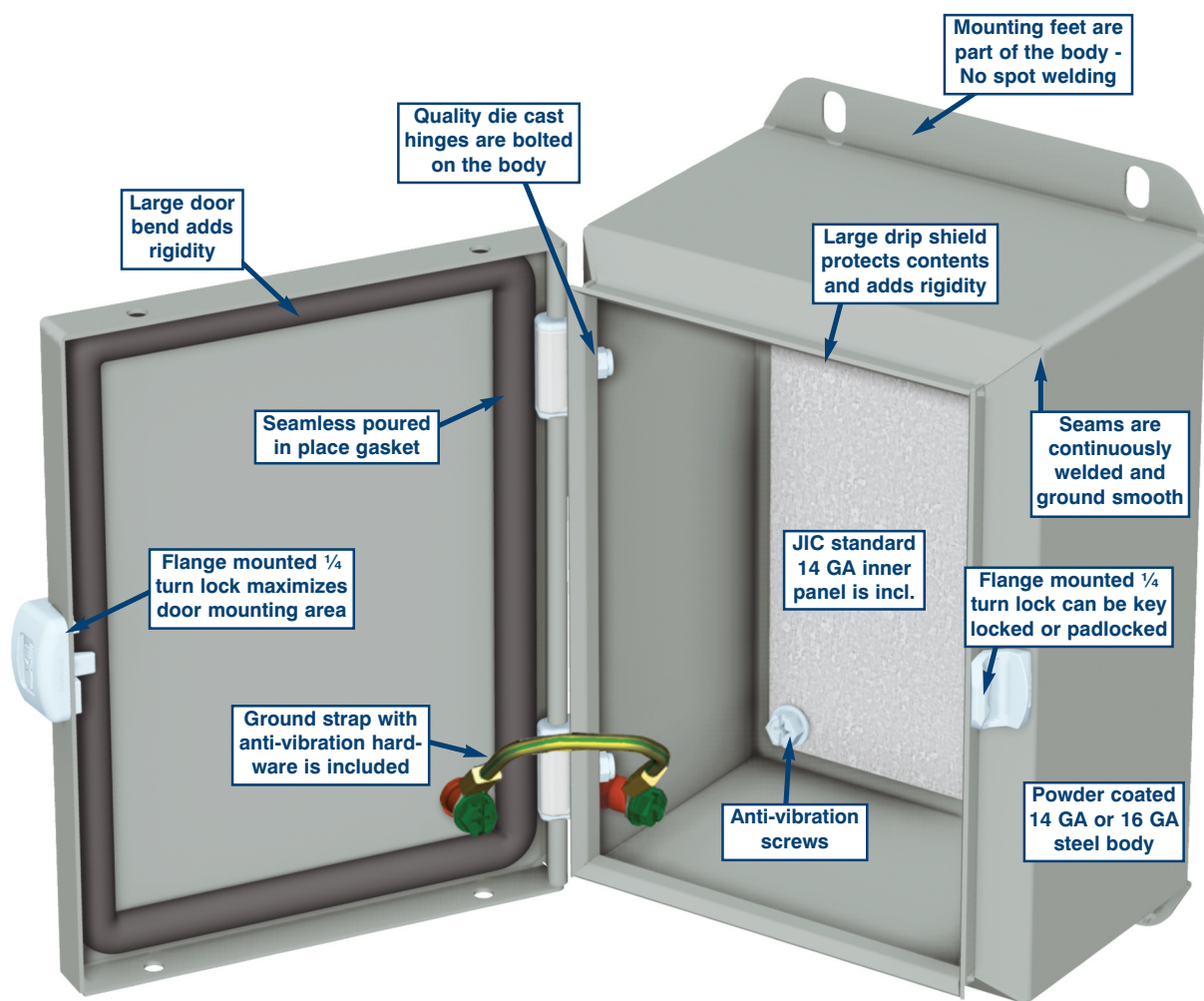
The 5412 ESCH are used indoors or outdoors to protect the enclosed controls from dust, dirt, oil and water splashing. The 5412 ESCH are made of high quality 16 GA steel, with continuously welded corner seams. The opening has a curled lip around all sides to increase rigidity and prevent dripping water from entering the enclosure when the door is open. A high quality, robotically poured-in-place, seamless gasket ensures a complete and durable water tight seal. The enclosures feature die cast

hinges, which are bound to the cover by an exclusive concealed hinge pin system. The covers are interchangeable and can be removed by unfastening the anti-vibration lock nuts. EXM's exclusive flange-mounted ¼ turn locking system ensures positive closing while leaving a full workable mounting surface on the door. Each enclosure comes complete with a 14 GA galvanized inner panel, which mounts on welded nuts. The four external wall-mounting holes are oblong to facilitate

installation and the mounting feet are incorporated into the body of the enclosure. Enclosures are finished with heat fused powder paint, electrostatically applied on a pre-treated base. Box is ANSI/ASA 61 smooth gray.

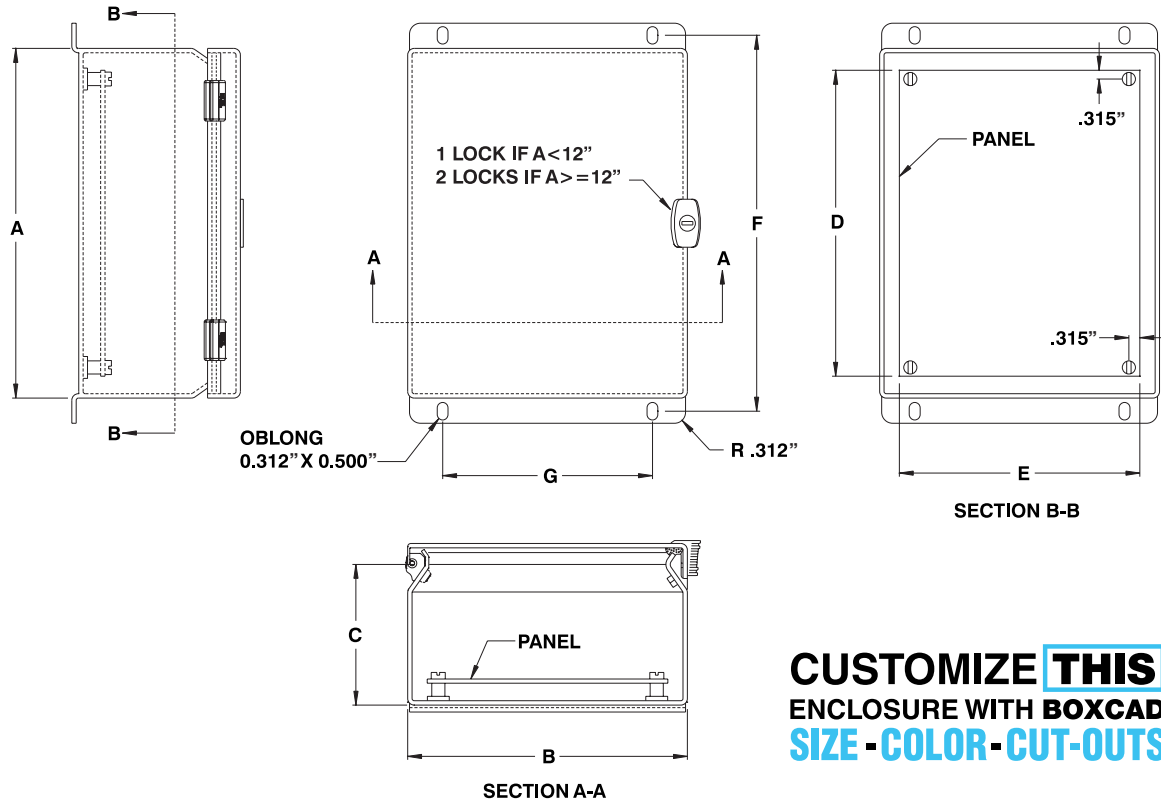
CSA Certified / UL Listed
NEMA/EEMAC 4-12 / IP66

Refer to p.734 to validate choice of substrate for the application



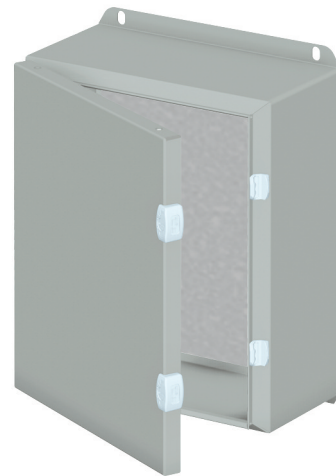
268





CUSTOMIZE THIS
ENCLOSURE WITH **BOXCAD**
SIZE - COLOR - CUT-OUTS

CATALOG NUMBER	DIMENSIONS							SHIP WTGT LBS.
	A	B	C	D	E	F	G	
5412 ESCH040403	4	4	3	No. Pan.	No. Pan.	4.75	2	2
5412 ESCH060403	6	4	3	4.88	2.88	6.75	2	3
5412 ESCH060404	6	4	4	4.88	2.88	6.75	2	4
5412 ESCH060604	6	6	4	4.88	4.88	6.75	4	5
5412 ESCH080604	8	6	4	6.88	4.88	8.75	4	6
5412 ESCH080804	8	8	4	6.88	6.88	8.75	6	8
5412 ESCH081004	8	10	4	6.88	8.88	8.75	8	10
5412 ESCH100804	10	8	4	8.88	6.88	10.75	6	10
5412 ESCH120604	12	6	4	10.88	4.88	12.75	4	8
5412 ESCH060605	6	6	5	4.88	4.88	6.75	4	6
5412 ESCH080605	8	6	5	6.88	4.88	8.75	4	7
5412 ESCH101005	10	10	5	8.88	8.88	10.75	8	14
5412 ESCH101205	10	12	5	8.88	10.88	10.75	10	16
5412 ESCH121005	12	10	5	10.88	8.88	12.75	8	16
5412 ESCH121205	12	12	5	10.88	10.88	12.75	10	18
5412 ESCH080606	8	6	6	6.88	4.88	8.75	4	7
5412 ESCH100806	10	8	6	8.88	6.88	10.75	6	12
5412 ESCH101006	10	10	6	8.88	8.88	10.75	8	14
5412 ESCH121206	12	12	6	10.88	10.88	12.75	10	18
5412 ESCH121406	12	14	6	10.88	12.88	12.75	12	19
5412 ESCH140806	14	8	6	12.88	6.88	14.75	6	10
5412 ESCH141206	14	12	6	12.88	10.88	14.75	10	19
5412 ESCH141606	14	16	6	12.88	14.88	14.75	14	23
5412 ESCH161006	16	10	6	14.88	8.88	16.75	8	19
5412 ESCH161206	16	12	6	14.88	10.88	16.75	10	21
5412 ESCH161406	16	14	6	14.88	12.88	16.75	12	23
5412 ESCH121008	12	10	8	10.88	8.88	12.75	8	16
5412 ESCH141208	14	12	8	12.88	10.88	14.75	10	20
5412 ESCH161208	16	12	8	14.88	10.88	16.75	10	25
5412 ESCH161408	16	14	8	14.88	12.88	16.75	12	26
5412 ESCH161410	16	14	10	14.88	12.88	16.75	12	27



p.565

p.534



269